



**SPECIFICATION DATA**

**SUGGESTED SPECIFICATIONS:** \_\_\_\_\_ Video Projector Lift, Model \_\_\_\_\_ Da-Lift 15, 19 or 19L, electrically operated 120 V (60 Hz) 2.2 amp. for projectors weighing up to 300 pounds. Da-Lift 15M electrically operated 120 V (60 Hz) 1.5 amp. for projectors weighing up to 40 pounds. To have rack and pinion, with chain drive lift mechanism. Three wire quick reversal motor especially designed for the purpose, to be ball bearing and oiled for life. To have preset but adjustable limit switches to automatically stop lift in the "up" and "down" positions. Stop action to be positive to prevent coasting. Frame to be black welded steel with two electrical outlets furnished on the platform, for ceiling recessed installation. Bottom of projector lift to be adjustable to allow flush installation with surrounding surface. To be complete with three position control switch with cover plate. Optional low voltage, radio frequency or infrared, remotes available. Optional plenum kit available where required by code. To be listed by Underwriters' Laboratories.



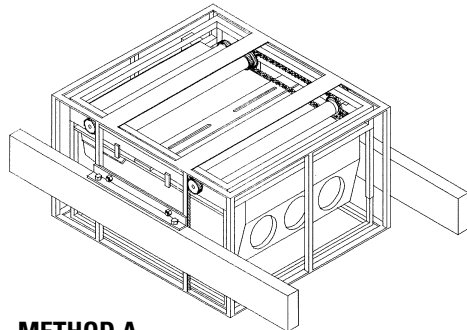
**DA-LIFT VIDEO PROJECTOR LIFT SPECIFICATIONS**

Model	Load Cap.		Width "A"		Height "B"		Depth "C"		Travel "D"	
	Lbs.	Kg	In.	Cm	In.	Cm	In.	Cm	In.	Cm
Da-Lift 15M	40	18.1	22-5/8"	57.5	20"	50.8	22"	55.9	15"	38.1
Da-Lift 15	300	136.1	30-3/4"	78.1	20"	50.8	34"	86.4	15"	38.1
Da-Lift 19	300	136.1	32-3/4"	83.2	24"	61.0	38"	96.5	19"	48.3
Da-Lift 19L	300	136.1	42-3/4"	108.6	24"	61.0	48"	121.9	19"	48.3

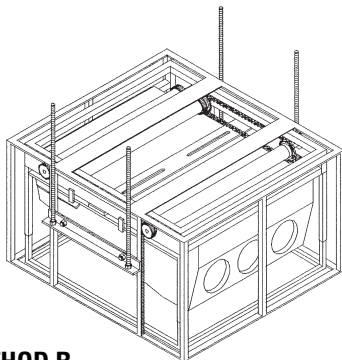
**INSIDE DIMENSIONS, WEIGHT, AND SHIPPING DIMENSIONS**

Model	Inside Dimensions						Unit Weight		Shipping Weight		Shipping Dimensions W x D x H	
	Width "E"		Height "F"		Depth "G"		Lbs.	Kg	Lbs.	Kg	In.	Cm
	In.	Cm	In.	Cm	In.	Cm						
Da-Lift 15M	18-1/2"	47.0	15" - 22"	38.1 - 55.9	17-1/2"	44.5	85	38.6	105	47.6	27"x30"x23"	68.6x76.2x58.4
Da-Lift 15	26-1/2"	67.3	15" - 22"	38.1 - 55.9	28-1/2"	72.4	116	52.6	132	59.0	35"x39"x26"	89x99x66
Da-Lift 19	28-1/2"	72.4	19" - 30"	48.3 - 76.2	32-1/2"	81.8	142	64.4	165	74.8	38"x43"x30"	96.5x109.2x76.2
Da-Lift 19L	38-1/2"	97.8	19" - 30"	48.3 - 76.2	42-1/2"	107.5	177	80.3	215	97.5	48"x53"x30"	121.9x134.6x76.2

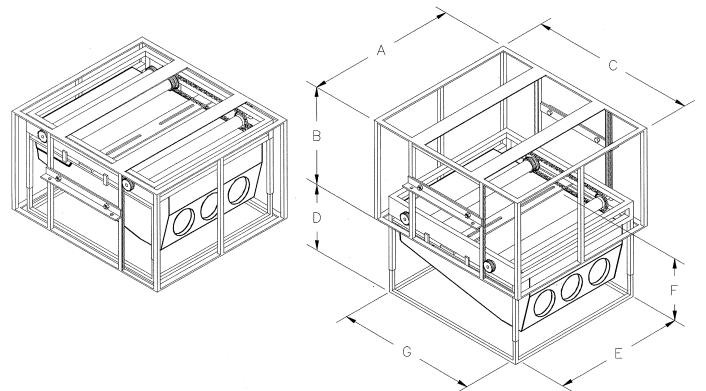
**SUGGESTED METHODS OF INSTALLATION**



**METHOD A  
UNIT ATTACHED TO WOOD BOARDS**



**METHOD B  
UNIT ATTACHED TO THREADED STUDS**



Project: \_\_\_\_\_  
 \_\_\_\_\_  
 Architect: \_\_\_\_\_  
 Phone: \_\_\_\_\_  
 Contractor: \_\_\_\_\_  
 Phone: \_\_\_\_\_  
 Supervisor: \_\_\_\_\_  
 Phone: \_\_\_\_\_  
 Date: \_\_\_\_\_  
 Revised: \_\_\_\_\_